



Portable Material Lifts
OUR COMPLETE LINE OF
MATERIAL LIFTS

Material Lifts

Material Lift

Genie Lift™ and Load Lifter™

Genie Lift



The Genie Lift™ is the material lift with thousands of applications. Use it as a hand truck, forklift or dolly for versatility and value. It is easily loaded in any size pickup truck to go wherever you need a lift. With three base models, and many accessories to choose from, the Genie Lift is ideal for your material handling needs.

The Load Lifter™ offers the same durability and portability as the Genie Lift, but in a compact size. One person can safely and easily lift and move loads up to 200 lb (91 kg).

Features

Lightweight aluminum construction

Portable and compact design

Single-door access

Three base models on Genie Lift

Benefits

Extruded aluminum construction means the machine is easy to load and maneuver. Durable for years of service. Holds up in severe weather conditions.

Folds for compact storage - no tools required. Loads easily into a pickup truck for easy transport.

Both the Genie Lift and Load Lifter can be rolled through a standard door while carrying a load.

Choose the base model that meets your needs. Standard base provides a compact design for congested work areas. Straddle base allows the machine to straddle loads or fixed objects. Counterweight base allows close positioning and easy access to loads above fixed objects.

Load Lifter



Uses and Applications

Genie Lift

Shipping/receiving, lifting heavy material to or from shelves, installing and repairing HVAC, lifting and moving parts.

Load Lifter

Lifting and moving small appliances, in-process manufactured parts, and computer and electronic equipment. May also be used as a work table.

lifts

Genie Lift, Load Lifter



Standard Base

Straddle Base

Counterweight Base

Load Lifter

Specifications - US and Metric

	GL-4	GL-8	GL-10	GL-12	Load Lifter
Height – stowed	5 ft 7½ in 1.72 m	5 ft 7½ in 1.72 m	6 ft 5½ in 1.97 m	7 ft 6¾ in 2.3 m	45 in 1.14 m
Height					5 ft 7 in 1.7 m
– platform max					
Height – max forks down	4 ft 1½ in 1.26 m	8 ft 3 in 2.5 m	9 ft 10½ in 3 m	12 ft 3.66 m	
Height – max forks up	5 ft 11 in 1.8 m	10 ft ½ in 3.06 m	11 ft 8 in 3.56 m	13 ft 9½ in 4.2 m	
Length – stowed	12 in	12 in			15 in
Standard base	30 cm	30 cm			38 cm
Length – operating	34¾ in	34¾ in			28¾ in
Standard base	88 cm	88 cm			73 cm
Length – stowed	19¾ in	19¾ in	19¾ in	19¾ in	
Straddle base	49 cm	49 cm	49 cm	49 cm	
Length – operating	43 in	43 in	43 in	43 in	
Straddle base	1.09 m	1.09 m	1.09 m	1.09 m	
Length – operating	28½ in	28½ in	28½ in		
Counterweight base	72 cm	72 cm	72 cm		
Width	24¾ in	24¾ in			20½ in
Standard base	63 cm	63 cm			52 cm
Width – stowed	28¾ in	28¾ in	28¾ in	28¾ in	
Straddle base	73 cm	73 cm	73 cm	73 cm	
Width – max	43½ in	43½ in	43½ in	43½ in	
Straddle base	1.1 m	1.1 m	1.1 m	1.1 m	
Width – stowed	28¾ in	28¾ in	28¾ in		
Counterweight base	73 cm	73 cm	73 cm		
Width – max	43½ in	43½ in	43½ in		
Counterweight base	1.1 m	1.1 m	1.1 m		
Average cranks	11½ /ft 38/m	11½ /ft 38/m	11½ /ft 38/m	11½ /ft 38/m	3/ft 3/30 cm
Load capacity	500 lb 227 kg	400 lb 181 kg	350 lb 159 kg	350 lb 159 kg	200 lb 91 kg
Machine weight					
Standard base	113 lb 51 kg	132 lb 60 kg			45 lb 20 kg
Straddle base	126 lb 57 kg	145 lb 66 kg	149 lb 68 kg	154 lb 70 kg	
Counterweight base	392 lb 178 kg	411 lb 186 kg	415 lb 188 kg		

Material Lift

Superlift™ Advantage and Superlift Contractor™

SLA



The Superlift™ Advantage (SLA) safely lifts up to 1,000 lb (454 kg) on construction and industrial sites. Just choose the base and mast height you need – either Standard Base with five different lifting heights or Straddle Base with three different lifting heights. Additionally, there are eight different load handling attachments to choose from.

The lightweight and portable Superlift Contractor™ (SLC) is designed with the contractor in mind. Its heavy-duty design includes a fixed steel base. Safely lift up to 650 lb (295 kg) with six different load handling attachments.

Features

Lightweight aluminum construction

Telescoping mast

Non-marking casters

Loading wheels

Dual handle winch

Load handling attachments

Uses and Applications

SLA

SLC

Benefits

Extruded aluminum construction means the machine is easy to load and maneuver.

Durable for years of service. Holds up in severe weather conditions.

Strong, lightweight mast of extruded aluminum with telescoping sections that nest inside one another. Loads are lifted by an aircraft-quality cable controlled by a heavy-duty winch.

Non-marking Performa™ casters prevent marking floors or picking up debris that could otherwise damage a floor.

Offer easy loading and unloading on and off transport vehicles. Quickly move the machine from one location to the next. Glide rails allow one person to load the unit on and off a vehicle in one fluid motion.

Heavy-duty one-speed or optional two-speed winch incorporates a silent ratchet system. Two-speed winch shifts gears “on the fly,” without removing or reattaching handles, to lift loads faster. All cables are threaded inside the mast assembly to protect them from possible damage.

All load handling attachments are sold separately and are interchangeable with a simple pin on the carriage assembly. Attachments available for all units include: standard forks, adjustable forks, fork extensions, boom, pipe cradle and load platform. In addition, the SLA offers flat forks as an attachment, a vertical barrel stacker and a rotating barrel handler.

Construction and industrial applications, general lifting applications, drum stacking or pouring, loading and unloading heavy materials.

Construction and industrial applications, HVAC installations, general lifting applications, hoist and vertical crane applications.



Super

SLA, SLC



SLA



SLC

Specifications - US and Metric

	SLA-5	SLA-10	SLA-15	SLA-20	SLA-25	SLC-6	SLC-12	SLC-18	SLC-24
Height	78½ in	78½ in	78½ in	78½ in	78½ in	86 in	86 in	86 in	86 in
– stowed	2 m	2 m	2 m	2 m	2 m	2.18 m	2.18 m	2.18 m	2.18 m
Length	29 in	29 in	29 in	29 in	31 in	34 in	34 in	34 in	34 in
– stowed	74 cm	74 cm	74 cm	74 cm	79 cm	86 cm	86 cm	86 cm	86 cm
Length	59½ in	59½ in	74 in	82 in	82 in	59 in	63 in	73 in	81 in
– operating	1.5 m	1.5 m	1.88 m	2.08 m	2.08 m	1.5 m	1.6 m	1.85 m	2.06 m
Width ¹	31½ in	31½ in	31½ in	31½ in	31½ in	31½ in	31½ in	31½ in	31½ in
	80 cm	80 cm	80 cm	80 cm	80 cm	80 cm	80 cm	80 cm	80 cm
Load height	6 in	6 in	6 in	6 in	6 in	6 in	6 in	6 in	6 in
– minimum	15 cm	15 cm	15 cm	15 cm	15 cm	15 cm	15 cm	15 cm	15 cm
Ground clearance	2 in	2 in	2 in	2 in	2 in	2 in	2 in	2 in	2 in
	5 cm	5 cm	5 cm	5 cm	5 cm	5 cm	5 cm	5 cm	5 cm
Load capacity	1000 lb	1000 lb	800 lb	800 lb	650 lb	650 lb	650 lb	650 lb	650 lb
	454 kg	454 kg	363 kg	363 kg	295 kg	295 kg	295 kg	295 kg	295 kg
Machine weight									
Standard base	215 lb	260 lb	317 lb	405 lb	450 lb	166 lb	204 lb	307 lb	374 lb
	98 kg	118 kg	144 kg	184 kg	204 kg	75 kg	93 kg	139 kg	170 kg
Straddle base	258 lb	303 lb	360 lb						
	117 kg	137 kg	163 kg						
Working height									
Standard forks									
Forks down	4 ft 10½ in	9 ft 9 in	14 ft 7½ in	19 ft 6 in	24 ft 4 in	5 ft 8 in	11 ft 2 in	16 ft 9 in	22 ft 3 in
	1.5 m	3 m	4.46 m	5.94 m	7.4 m	1.72 m	3.4 m	5.1 m	6.78 m
Forks up	6 ft 7 in	11 ft 5½ in	16 ft 4 in	21 ft 2½ in	26 ft ½ in	7 ft 5 in	12 ft 11 in	18 ft 6 in	24 ft
	2 m	3.5 m	5 m	6.46 m	7.94 m	2.26 m	3.94 m	5.64 m	7.32 m
Boom	5 ft 10½ in	10 ft 9 in	15 ft 7½ in	20 ft 6 in	24 ft 4 in	6 ft 8 in	12 ft 2 in	17 ft 9 in	23 ft 3 in
	1.8 m	3.3 m	4.76 m	6.25 m	7.4 m	2 m	3.7 m	5.4 m	7.1 m

¹ Width for SLA measures width of standard base machines stowed.

Material Lift

Super Hoist™ and Super Tower™

Super Hoist



The Super Hoist™ is a portable, lightweight lift powered by either CO₂ or compressed air. With a machine weight of only 69 lb (31 kg), it is easily moved by one person from job to job. The Super Hoist is so compact, it can be transported in the trunks of most cars. Use it to lift fixtures and other materials up to 18 ft 4½ in (5.6 m).

The Super Tower™ is the ideal stagehand. With a load capacity of up to 800 lb (363 kg), it is the ideal tool for lifting and supporting lighting systems, sound systems and stage scenery. Depend on the Super Tower for flawless theatrical productions and entertainment events.

Super Hoist

Features

Lightweight aluminum construction

Easy setup

Auto-lubricating

Benefits

Extruded aluminum construction means the machine is easy to load and maneuver. Durable for years of service. Holds up in severe weather conditions.

The Super Hoist sets up in seconds with no special tools required. The legs fold out from the base for quick and easy setup. Safety lock mechanisms keep each leg up for storage or out for use.

Oil reservoirs are located on top of each piston inside the cylinder. This patented design ensures proper lubrication and helps prevent the lubricating oil from draining.

Super Tower

Features

Lightweight aluminum construction

Easy to transport

Black anodized finish

Benefits

Extruded aluminum construction means the machine is easy to load and maneuver. Durable for years of service. Holds up in severe weather conditions.

Compact stowed position makes the Super Tower easy to transport, with no bulky base to get in the way.

The Genie Super Tower comes standard with a flat black anodized finish so the unit is nearly invisible to the audience.

Uses and Applications

Super Hoist

Lifts, positions and installs metal and fiberboard air ducts, overhead sprinklers and plumbing, sheetrock and ceiling panels, forced air heaters/chillers, chimney pipe and electrical fixtures.

Super Tower

Lifts and supports lighting and sound systems, and stage scenery.

Super Tower



hoist

Super Hoist, Super Tower



Super Hoist



Super Tower

Specifications - US and Metric

Super Hoist

	GH 3.8	GH 5.6
Height	41 in 1.04 m	54 in 1.37 m
Platform length	19 in 48 cm	19 in 48 cm
Platform width	24 in 61 cm	24 in 61 cm
Base width	53 in 1.35 m	53 in 1.35 m
corner-to-corner		
Load capacity	300 lb 136 kg	250 lb 113 kg
Lifting Height	12 ft 5½ in 3.8 m	18 ft 4½ in 5.6 m
Dimensions for storage/transport	14 x 14 x 39½ in 36 cm x 36 cm x 1 m	14 x 14 x 39½ in 36 cm x 36 cm x 1 m
Weight	64 lb 29 kg	69 lb 31 kg

Super Tower

	ST-20	ST-25
Height - stowed	78¾ in 2 m	78¾ in 2 m
Width - stowed	22 in 56 cm	22 in 56 cm
Length - stowed	25¼ in 64 cm	25¼ in 64 cm
Load height	6 in 15 cm	6 in 15 cm
— minimum		
Ground clearance	2 in 5 cm	2 in 5 cm
Outrigger footprint	73½ x 79½ in 1.87 x 2.02 m	73½ x 79½ in 1.87 x 2.02 m
Load capacity	800 lb 363 kg	650 lb 295 kg
at 18 in (46 cm) load center		
Weight	446 lb 202 kg	490 lb 222 kg
Working height	19 ft 6 in 5.94 m	24 ft 4 in 7.42 m
— forks down		
Working height	21 ft 2½ in 6.46 m	26 ft ½ in 7.94 m
— forks up		

GENIE UNITED STATES

18340 NE 76th Street
P. O. Box 97030
Redmond, Washington 98073-9730
Telephone **(425) 881-1800**
Toll Free in USA/Canada **800-536-1800**
Fax (425) 883-3475

GENIE AUSTRALIA PTY LTD

591 Boundary Road, Darra
P. O. Box 394, Richlands 4077
Queensland, Australia
Telephone **+61 (0)7 3375 1660**
Fax +61 (0)7 3375 1002

GENIE BRASIL LTDA

Al. Mamore, 535 - Sala 510
Alphaville - Barueri - SP
06454-040
Brasil
Telephone **+55 11 4166 5755**
Toll Free 0800 70 43643
Fax +55 11 4166 5754
genie.brasil@attglobal.net

GENIE FRANCE

10, ZA de la Croix St. Mathieu
28320 Gallardon
France
Telephone **+33 (0)2 37 26 09 99**
Fax +33 (0)2 37 26 09 98

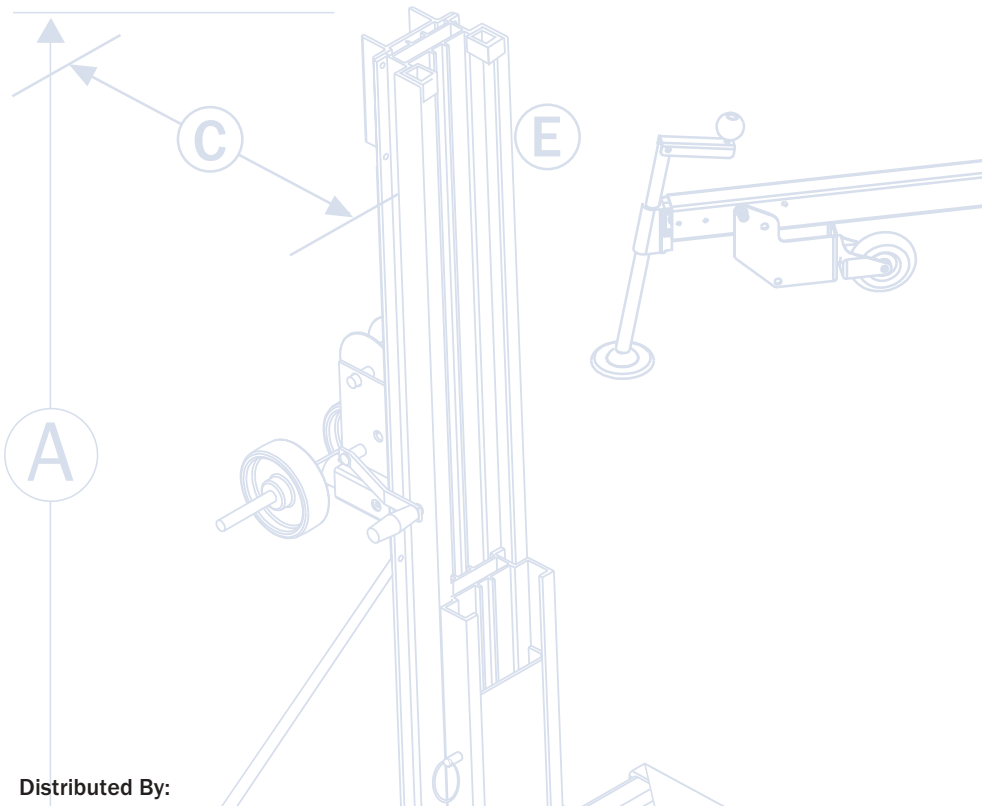
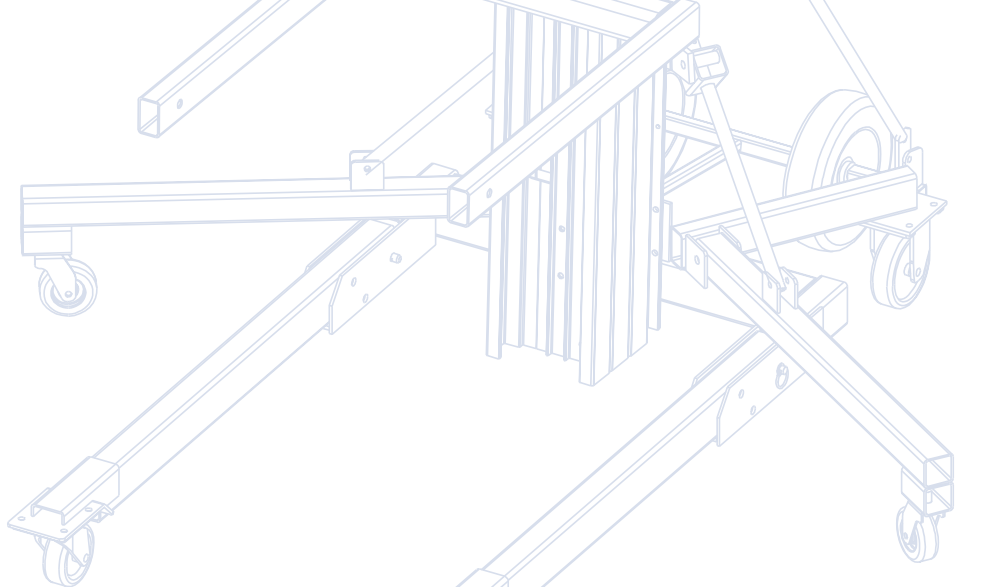
GENIE UNITED KINGDOM

The Maltings, Wharf Road
Grantham
Lincolnshire NG31 6BH
England
Telephone **+44 (0)1476 584333**
Fax +44 (0)1476 584334

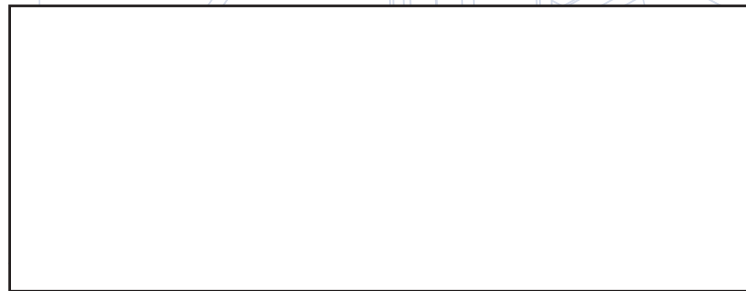
Online Address

<http://www.genielift.com>

Genie Industries



Distributed By:



For further information, please contact your local distributor or the Genie sales office listed. Continuous improvement of our products is a Genie policy. Product specifications are subject to change without notice or obligation. The photographs and drawings in this brochure are for illustrative purposes only. Refer to the appropriate Operator's Manual for instructions on the proper use of this equipment. Failure to follow the appropriate Operator's Manual when using this equipment, or to otherwise act irresponsibly, may result in serious injury or death. Copyright © 2000 by Genie Industries. Printed in the USA on recyclable paper. "Genie" is a Registered Trademark of Genie Industries in the USA and many other countries. "Superlift," "Super Hoist" and "Super Tower" are Trademarks of Genie Industries. Genie is the owner of Patents: 5,099,748; 5,584,363; 5,515,945; 5,667,352; 5,645,142 and Patents Pending, MatLine 6.5K 1102B. Part No. 65277