

Manually  
Operated  
Load Lifter



- The hand truck that lifts up to 200 pounds (91 kg) to 5 feet, 7 inches (1.7 m).



## Standard Features

- One person can safely and easily lift and move heavy loads.
- 200 lb (91 kg) load capacity.
- Lifts material up to 5 ft 7 in (1.7 m).
- Designed and constructed of durable yet lightweight aluminum.
- Quiet high-speed reversible winch quickly lifts heavy loads.
- High strength aircraft quality cable prevents corrosion and fraying.
- Cushioned neoprene hand grip for easy handling.
- Corrosion resistant - won't rust.

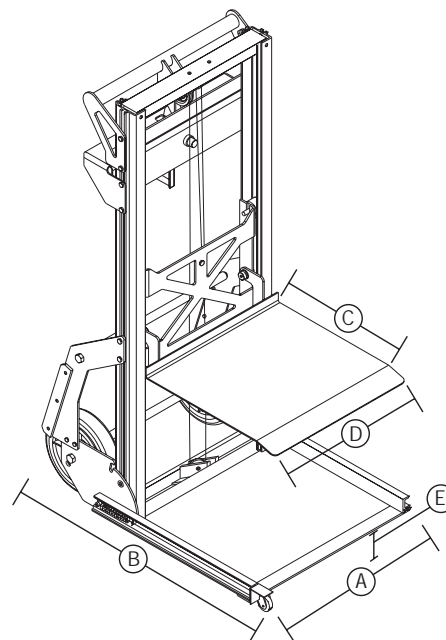
- Beveled aluminum platform for easy loading and unloading.
- Accessories are easy to install.
- Portable – folds for compact storage and easy transport (pictured at right).
- Performa 8 in (20 cm) non-marking rear wheels are standard (pictured below).
- All models include stair glides for easy handling on stairs (pictured below).



## Options and Accessories



- Pneumatic 8 in (20 cm) rear wheels for rough terrain.
- Field-installable foot brake (not pictured).
- 2 in (5 cm) non-marking front swivel casters for easy maneuvering with heavy loads.



## Specifications

	us	Metric
Height-platform max	5 ft 7 in	1.7 m
Lift capacity	200 lb	91 kg
Height-stowed	45 in	1.14 m
Length-stowed	15 in	38 cm
(A) Width	20½ in	52 cm
(B) Length-operating	28¾ in	73 cm
Average cranks	3 cranks/ft	3 cranks/30 cm

## Load Platform Dimensions

(C) Length	14 in	36 cm
(D) Width	16¾ in	43 cm
(E) Minimum Load Height	2 in	5 cm
Machine Weight	45 lb	20 kg

## Use the Load Lifter™ to pick up and move:

- Freight parcels
- Computer and electronic equipment
- Fax machines and office equipment
- Small appliances
- Paper and printed material
- In-process manufactured parts
- Also use it as a work table and for common material handling tasks

Distributed By:

## Genie Industries

### GENIE UNITED STATES

18340 NE 76th Street  
 P.O. Box 97030  
 Redmond, Washington 98073-9730  
 Telephone (425) 881-1800  
 Toll Free in USA/Canada 800-536-1800  
 Fax (425) 883-3475  
<http://www.genieindustries.com>

### GENIE UNITED KINGDOM

The Maltings, Wharf Road  
 Grantham  
 Lincolnshire NG31 6BH  
 England  
 Telephone: +44 (0)1476 584333  
 Fax: +44 (0)1476 584334  
<http://www.genieindustries.com>