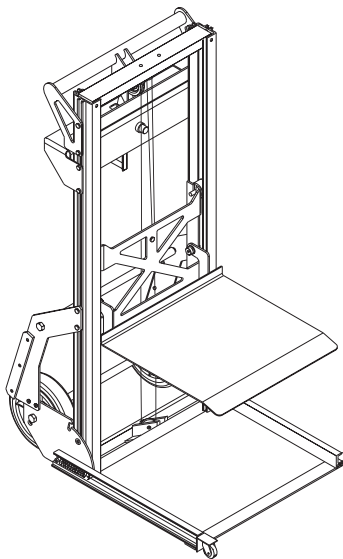


# Genie Load Lifter Specifications

## Material Lift



### SPECIFICATIONS

| MODEL                   | LOAD LIFTER |                |
|-------------------------|-------------|----------------|
|                         | US          | Metric         |
| Height-maximum platform | 5 ft 7 in   | 1.7 m          |
| Lift capacity           | 200 lb      | 91 kg          |
| Height-stowed           | 45 in       | 1.14 m         |
| Length-stowed           | 15 in       | 38 cm          |
| Width                   | 20 ½ in     | 52 cm          |
| Length-operating        | 28 ¾ in     | 73 cm          |
| Average cranks          | 3 cranks/ft | 3 cranks/30 cm |

### LOAD PLATFORM DIMENSIONS

|                     |         |       |
|---------------------|---------|-------|
| Length              | 14 in   | 36 cm |
| Width               | 16 ¾ in | 43 cm |
| Minimum load height | 2 in    | 5 cm  |
| Machine weight      | 45 lb   | 20 kg |

### STANDARD FEATURES

- Designed to roll through standard 32 in (81 cm) doorway
- Stair glides for easy handling on stairs
- Reversible winch handle quickly lifts heavy loads
- Portable - folds up for compact storage and easy transport
- Non-marking front swivel casters option

## Genie Industries

**USA** 18340 NE 76th Street  
P.O. Box 97030  
Redmond, Washington 98073-9730  
Telephone (425) 881-1800  
Toll Free USA/Canada 800-536-1800  
Fax (425) 883-3475  
<http://www.genielift.com>

**UK** The Maltings, Wharf Road  
Grantham  
Lincolnshire NG31 6BH  
Telephone (44) 01476-584333  
Fax (44) 01476-584334  
<http://www.genielift.com>

*Continuous improvement of our products is a Genie policy. Product specifications are subject to change without notice or obligation. The drawings in this brochure are for illustrative purposes only. Refer to the appropriate Genie Load Lifter Operator's Manual for instructions on the proper use of this equipment. Failure to follow the appropriate Operator's Manual when using a Genie Load Lifter, or to otherwise act irresponsibly, may result in serious injury or death. Copyright © 1997 by Genie Industries. "Genie" is a Registered Trademark of Genie Industries in the USA and many other countries. "Load Lifter" is a Trademark of Genie Industries. 2-1-01*