



Manually Operated Material Lift

GENIE LIFT™

○ The material lift
with thousands
of applications.



There is a Genie Lift™ for Every Load.

The Genie Lift's improved design provides years of reliable service. It is easily loaded in any size pickup truck to go wherever you need a lift! With three base models and many accessories to choose from, the Genie Lift is ideal for all your material handling needs.

Standard Features

Standard Base Model

Compact design allows you to lift and maneuver in congested work areas. Great for general lifting and delivery of materials.

- Available in 4 ft (1.22 m) and 8 ft (2.44 m) lift heights
- Low loading height
- 8 in (20 cm) non-marking rear wheels and 2 in (5 cm) dual wheel front swivel casters are standard



Straddle Base Model

Adjustable base legs straddle loads or fixed objects up to 36 in (91 cm) wide. Ideal for lifting small pallets, appliances and other bulky objects.

- Available in 4 ft (1.22 m), 8 ft (2.44 m), 10 ft (3.05 m) and 12 ft (3.66 m) lift heights
- Legs adjust from inside dimensions of 22 in (56 cm) to 36 in (91 cm)
- Straddles wide loads
- 8 in (20 cm) non-marking rear wheels and 2 in (5 cm) dual wheel front swivel casters are standard

Counterweight Base Model

Short 9 in (23 cm) front legs let you get close to your load. Excellent for accessing loads on countertops or shelves above fixed objects.

- Available in 4 ft (1.22 m), 8 ft (2.44 m) and 10 ft (3.05 m) lift heights
- Designed for use on level surfaces
- Counterweight base provides short leg length, letting you get close to your load
- 5 in (13 cm) rear swivel casters with side brakes and fixed 4 in (10 cm) front wheels are standard



These are just a few of the thousands of applications:

- Shipping/receiving
- Transporting appliances
- Lifting heavy material to or from shelves
- Moving office equipment
- Installing ceiling/wall appliances
- Record storage and retrieval
- HVAC installation and repair
- Lifting electronic/computer products in retail stores
- Handling cement bags
- Lifting and moving automotive parts

Options and Accessories

Standard and Straddle Base Options

- Rugged 10 in (25 cm) pneumatic rear wheels and 2½ in (6 cm) front swivel casters.
- Foot-release brake option for standard or pneumatic wheels.
- Stair rollers for easy movement on stairways. Standard Base only.

Straddle Base Caster Options

- Option A: 4 in (10 cm) rear swivel casters and 2 in (5 cm) dual wheel front swivel casters.
- Option B: 5 in (13 cm) rear swivel casters with side brakes and 4 point rotational locks with 2½ in (6 cm) front swivel casters.

Electric Winch Option

- The battery powered Electric Winch option is available with Straddle Base and Counterweight Base models.
- A Caster Option kit is required for use with Straddle Bases.
- The Electric Winch option comes with a battery pack and an automatic charger that shuts itself off when fully charged.
- Factory installed only.



10 in pneumatic rear wheels and foot-release brake option



Load Platform



Boom



Aluminum Ladder

Other Options and Accessories

- Load platform fits easily over forks—no tools required. For use when lifting odd-shaped loads or as a portable work table.
- The boom option turns your Genie Lift into a vertical crane or hoist. Lifts 210 lb (95 kg) to 500 lb (227 kg), with up to a 20 in (51 cm) reach.
- Sturdy aluminum ladders available on Standard Base and Straddle Base models. Not available with the Electric Winch option.

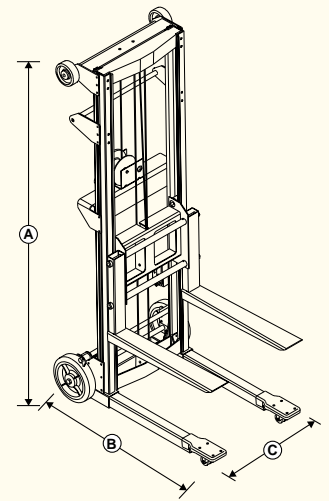


Standard Features

- Durable steel forks
- Hold-down mechanism secures carriage during transport
- Reversible winch handle for easy storage
- Winch operates while ladder is in use or stowed
- Loads easily into a pickup truck for transporting

Options and Accessories

- Load platform
- Boom
- Aluminum ladder
 - Standard and Straddle Base
- Electric winch
 - Straddle and Counterweight Base
- Pneumatic rear wheels
 - Standard and Straddle Base
- Foot-release brake
 - Standard and Straddle Base
- Caster options
- Stair rollers -Standard Base



Specifications

Model	US GL-4	Metric	US GL-8	Metric	US GL-10	Metric	US GL-12	Metric
Height								
(A) Height-stowed ^{1,2,3}	5 ft 7½ in	1.72 m	5 ft 7½ in	1.72 m	6 ft 5½ in	1.97 m	7 ft 6¾ in	2.31 m
Height max forks up	5 ft 11 in	1.8 m	10 ft ½ in	3.06 m	11 ft 8 in	3.56 m	13 ft 9½ in	4.2 m
Height max forks down	4 ft 1½ in	1.26 m	8 ft 3 in	2.51 m	9 ft 10½ in	3.01 m	12 ft	3.66 m
Height min forks down	3½ in	9 cm	3½ in	9 cm	2 in	5 cm	2 in	5 cm
Length								
(B) Standard Base-stowed	12 in	30 cm	12 in	30 cm	n/a		n/a	
Standard Base-operating	34¾ in	88 cm	34¾ in	88 cm	n/a		n/a	
Straddle Base-stowed	19¾ in	49 cm	19¾ in	49 cm	19¾ in	49 cm	19¾ in	49 cm
Straddle Base-operating	43 in	1.09 m	43 in	1.09 m	43 in	1.09 m	43 in	1.09 m
Counterweight Base-operating	28½ in	72 cm	28½ in	72 cm	28½ in	72 cm	n/a	
Width								
(C) Standard Base ⁴	24¾ in	63 cm	24¾ in	63 cm	n/a		n/a	
Straddle Base-stowed ⁴	28¾ in	73 cm	28¾ in	73 cm	28¾ in	73 cm	28¾ in	73 cm
Straddle Base-max ⁴	43½ in	1.1 m	43½ in	1.1 m	43½ in	1.1 m	43½ in	1.1 m
Straddle Base max inside	36 in	91 cm	36 in	91 cm	36 in	91 cm	36 in	91 cm
Counterweight Base-stowed ⁴	28¾ in	73 cm	28¾ in	73 cm	28¾ in	73 cm	n/a	
Counterweight Base-max ⁴	43½ in	1.1 m	43½ in	1.1 m	43½ in	1.1 m	n/a	
Counterweight Base max inside	36 in	91 cm	36 in	91 cm	36 in	91 cm	36 in	91 cm
Weight/Standard Caster Options								
Standard Base	113 lb	51 kg	132 lb	60 kg	n/a		n/a	
Straddle Base	126 lb	57 kg	145 lb	66 kg	149 lb	68 kg	154 lb	70 kg
Counterweight Base	392 lb	178 kg	411 lb	186 kg	415 lb	188 kg	n/a	
Weight/Pneumatic Caster Options								
Standard Base	117 lb	53 kg	136 lb	62 kg	n/a		n/a	
Straddle Base	130 lb	59 kg	149 lb	68 kg	153 lb	69 kg	158 lb	72 kg
Weight/4 Point Caster Option								
Straddle Base caster option A	137 lb	62 kg	156 lb	71 kg	160 lb	73 kg	165 lb	75 kg
Straddle Base caster option B	139 lb	63 kg	158 lb	72 kg	162 lb	73 kg	167 lb	76 kg
Miscellaneous								
Load height min	3½ in	9 cm	3½ in	9 cm	3½ in	9 cm	3½ in	9 cm
Ground clearance ^{1,2,3}	¾ in	2 cm	¾ in	2 cm	¾ in	2 cm	¾ in	2 cm
Lift capacity	500 lb	227 kg	400 lb	181 kg	350 lb	159 kg	350 lb	159 kg
at 12 in (30 cm) load center								
Average cranks-standard winch	11½/ft	38/m	11½/ft	38/m	11½/ft	38/m	11½/ft	38/m
Average lift-electric winch	2 in/sec	5 cm/sec	2 in/sec	5 cm/sec	2 in/sec	5 cm/sec	2 in/sec	5 cm/sec
Fork length	22½ in	57 cm	22½ in	57 cm	22½ in	57 cm	22½ in	57 cm
Fork width	20½ in	52 cm	20½ in	52 cm	20½ in	52 cm	20½ in	52 cm
Load platform length	23 in	58 cm	23 in	58 cm	23 in	58 cm	23 in	58 cm
Load platform width	22 in	56 cm	22 in	56 cm	22 in	56 cm	22 in	56 cm

¹ The 10 in pneumatic rear wheel option will add 1 in (2.5 cm) to these specifications

² The counterweight base will add 1 in (2.5 cm) to these specifications

³ The 4 point caster option B will add 1 in (2.5 cm) to these specifications

⁴ Outside dimensions

Distributed By:

Genie Industries

GENIE UNITED STATES
 18340 NE 76th Street
 P.O. Box 97030
 Redmond, Washington 98073-9730
 Telephone (425) 881-1800
 Toll Free in USA/Canada 800-536-1800
 Fax (425) 883-3475
<http://www.genielift.com>

GENIE UNITED KINGDOM
 The Maltings, Wharf Road
 Grantham
 Lincolnshire NG31 6BH
 England
 Telephone: +44 (0)1476 584333
 Fax: +44 (0)1476 584334
<http://www.genielift.com>