



Manually
Operated
Superlift™
Advantage

SLA

- Material lift
for construction
and industrial
applications.



The Superlift™ Advantage

The Genie Superlift Advantage is a package of options you select to design the Superlift you need and want... and you get more value for your money.

It's easy as one, two, three...

1. Choose the base and mast—either Standard Base with five different lifting heights—or Straddle Base with three different lifting heights.
2. Choose your winch—one speed or two speed.
3. Choose the load handling attachments you need.



Standard Base: Available in 5, 10, 15, 20 and 25 ft (1.5, 3, 4.6, 6.1 and 7.6 m) heights. The field-proven design ensures durability and dependability. The welded steel base provides extra support. Stabilizers are standard on 20 and 25 ft (6.1 and 7.6 m) models. There are no loose parts.



Straddle Base: Available in 5, 10 and 15 ft (1.5, 3 and 4.6 m) heights. The straddle base design is versatile and adjustable. It's easy to use and straddles loads from 22 to 50 in (56 cm to 1.27 m) wide. It's perfect for wide loads and narrow doorways. Easily handles pallets up to 48 in (1.2 m) wide. The straddle base models are built with the same durable construction used with the standard base models. Flat forks permit ground level loading.

EASILY STORED – HIGHLY MANEUVERABLE



Easy to store because legs fold up and attachments are removable.

Rolls through standard doorways in the upright position, without removing the load or having to tilt back the lift.



Easily loads into a pickup truck to move from one location to another.

Maneuverable 4 in (10 cm) front casters and 5 in (13 cm) rear casters with 4-way swivel locks and side brakes are standard.

LOAD HANDLING ATTACHMENTS



Standard Forks: excellent for general purpose lifting applications. Invertible: forks may be inverted to add an additional 20 in (51 cm) of lifting height. Standard.



Adjustable Forks: forks may be inverted to add an additional 20 in (51 cm) of lifting height. Ideal for odd-sized loads. Optional.



Flat Forks: strong aluminum construction, designed for standard pallets. Provides an inexpensive alternative to forklifts for material lifting and transportation. For use on SLA-5, SLA-10 and SLA-15 models. Optional.



Boom: transforms your Superlift into a vertical crane or hoist. Positions tooling fixtures, hoists circuit breakers, engines, etc. Optional.

ACCESSORIES FOR STANDARD AND ADJUSTABLE FORKS



Pipe Cradle: perfect for HVAC and construction applications—no tools required to install or remove. For use with standard or adjustable forks.

Fork Extension (not shown): insert onto standard or adjustable forks for additional lengths of up to 25 in (64 cm).



Load Platform: fits easily over standard or adjustable forks—no tools required to install or remove. Assists in loading and unloading heavy objects.



Rear Transport Wheels: provide easy maneuverability over uneven surfaces.



Captive Stabilizers: patented “locking system” provides additional lateral support for heavy loads. Standard on SLA-20 and SLA-25 units.



One-Speed Winch: manually operated winch incorporates a silent ratchet system.

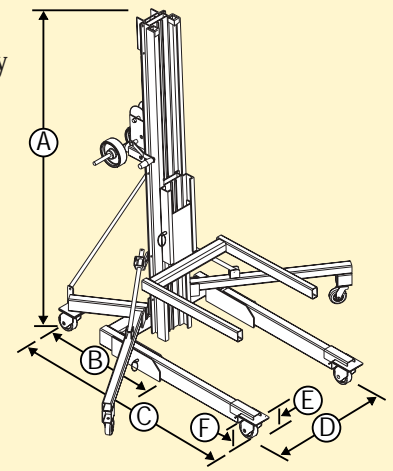
Two-Speed Winch: shift gears “on the fly” with our exclusive, constant mesh two-speed manual winch. Provides the ability to change gears without removing or reattaching handles. No loose parts.

Standard Features

- Patented telescoping mast system.
- Heavy duty design for compactness, safety, strength and rigidity.
- Quick setup requires no tools and is ready to work in seconds.
- Compact design - legs fold up for easy storage.
- Easy to load.
- In the stored position, roller wheels on the base of the legs allow the unit to be easily pushed around.
- Rolls through standard single doorways.
- Hold-down bar holds mast assembly in place during transport.

Options and Accessories

- Interchangeable load handling attachments handle a large variety of work loads.
- A safety brake is optional on all units.
- Two-speed winch upgrade (one-speed winch is standard).
- Rear transport wheel assembly.



Specifications

Model	SLA-5		SLA-10		SLA-15		SLA-20		SLA-25		
	US	Metric	US	Metric	US	Metric	US	Metric	US	Metric	
Ⓐ Height - stowed	78 ½ in	2 m	78 ½ in	2 m	78 ½ in	2 m	78 ½ in	2 m	78 ½ in	2 m	
Ⓑ Length - stowed	29 in	74 cm	29 in	74 cm	29 in	74 cm	29 in	74 cm	31 in	79 cm	
Ⓒ Length - operating	59 ½ in	1.5 m	59 ½ in	1.5 m	74 in	1.88 m	82 in	2.08 m	82 in	2.08 m	
Width - standard base stowed ¹	31 ½ in	80 cm	31 ½ in	80 cm	31 ½ in	80 cm	31 ½ in	80 cm	31 ½ in	80 cm	
Ⓓ Width - straddle base min ¹	31 ½ in	80 cm	31 ½ in	80 cm	31 ½ in	80 cm	—	—	—	—	
Width - straddle base max ¹	58 in	1.47 m	58 in	1.47 m	58 in	1.47 m	—	—	—	—	
Width - straddle base max inside	50 in	1.27 m	50 in	1.27 m	50 in	1.27 m	—	—	—	—	
Ⓔ Load height - min	6 in	15 cm	6 in	15 cm	6 in	15 cm	6 in	15 cm	6 in	15 cm	
Ⓕ Ground clearance	2 in	5 cm	2 in	5 cm	2 in	5 cm	2 in	5 cm	2 in	5 cm	
Load capacity	1,000 lb	454 kg	1,000 lb	454 kg	800 lb	363 kg	800 lb	363 kg	650 lb	295 kg	
Weight - standard base	215 lb	98 kg	260 lb	118 kg	317 lb	144 kg	405 lb	184 kg	450 lb	204 kg	
Weight - straddle base	258 lb	117 kg	303 lb	137 kg	360 lb	163 kg	—	—	—	—	
Load Capacity											
18 in (46 cm) load center	1000 lbs	454 kg	1000 lbs	454 kg	800 lbs	363 kg	800 lbs	363 kg	650 lbs	295 kg	
24 in (61 cm) load center	1000 lbs	454 kg	1000 lbs	454 kg	800 lbs	363 kg	600 lbs	272 kg	450 lbs	204 kg	
42 in (107 cm) load center	350 lbs	159 kg	400 lbs	181 kg	500 lbs	227 kg	350 lbs	159 kg	250 lbs	113 kg	
Working Height											
Standard forks											
forks down	4 ft 10 ½ in	1.5 m	9 ft 9 in	3.0 m	14 ft 7 ½ in	4.5 m	19 ft 6 in	5.9 m	24 ft 4 in	7.4 m	
forks up	6 ft 7 in	2.0 m	11 ft 5 ½ in	3.5 m	16 ft 4 in	5.0 m	21 ft 2 ½ in	6.5 m	26 ft ½ in	7.9 m	
Adjustable forks											
forks down	4 ft 10 ½ in	1.5 m	9 ft 9 in	3.0 m	14 ft 7 ½ in	4.5 m	19 ft 6 in	5.9 m	24 ft 4 in	7.4 m	
forks up	6 ft 7 in	2.0 m	11 ft 5 ½ in	3.5 m	16 ft 4 in	5.0 m	21 ft 2 ½ in	6.5 m	26 ft ½ in	7.9 m	
Flat forks											
Boom ²	4 ft 10 ½ in	1.5 m	9 ft 9 in	3.0 m	14 ft 7 ½ in	4.5 m	—	—	—	—	
Load platform ³	5 ft 10 ½ in	1.8 m	10 ft 9 in	3.3 m	15 ft 7 ½ in	4.8 m	20 ft 6 in	6.2 m	24 ft 4 in	7.4 m	
Load platform ³											
forks down	4 ft 10 ½ in	1.5 m	9 ft 9 in	3.0 m	14 ft 7 ½ in	4.5 m	19 ft 6 in	5.9 m	24 ft 4 in	7.4 m	
forks up	6 ft 7 in	2.0 m	11 ft 5 ½ in	3.5 m	16 ft 4 in	5.0 m	21 ft 2 ½ in	6.5 m	26 ft 5 in	8 m	
Load Handling Attachments											
Length			Width			Depth			Weight		
	US	Metric		US	Metric		US	Metric		US	Metric
Standard forks	27 ½ in	70 cm		23 ½ in	60 cm		2 ½ in	6.4 cm		38 lb	17 kg
Adjustable forks	27 ½ in	70 cm		11 ½-30 in	29-76 cm		2 ½ in	6.4 cm		52 ½ lb	24 kg
Fork extensions	30 in	76 cm		2 in	5 cm		3 in	7.6 cm		4 ½ lb ea	2.0 kg ea
Flat forks	32 in	81 cm		16-31 in	41-79 cm		1 ½ in	3.8 cm		73 lb	33 kg
Boom	18-42 in	46-107 cm		1 ½ in	4 cm		6 ½ in	16.5 cm		34 ½ lb	16 kg
Pipe cradle ⁴	27 ½ in	70 cm		24 ½ in	62 cm		6 in	15.2 cm		10 lb	4.5 kg
Load platform	27 ½ in	70 cm		23 ½ in	60 cm		2 ½ in	6 cm		26 ½ lb	12 kg

¹ Outside dimensions. ² Measured from ground to bottom of shackle. ³ For use with standard and adjustable forks only. ⁴ Handles round objects up to 30 in (76 cm) in diameter.

Distributed By:

Genie Industries

GENIE UNITED STATES

18340 NE 76th Street
P. O. Box 97030
Redmond, Washington 98073-9730
Telephone (425) 881-1800
Toll Free in USA/Canada 800-536-1800
Fax (425) 883-3475
<http://www.genieindustries.com>

GENIE UNITED KINGDOM

The Maltings, Wharf Road
Grantham
Lincolnshire NG31 6BH
England
Telephone: +44 (0)1476 584333
Fax: +44 (0)1476 584334
<http://www.genieindustries.com>