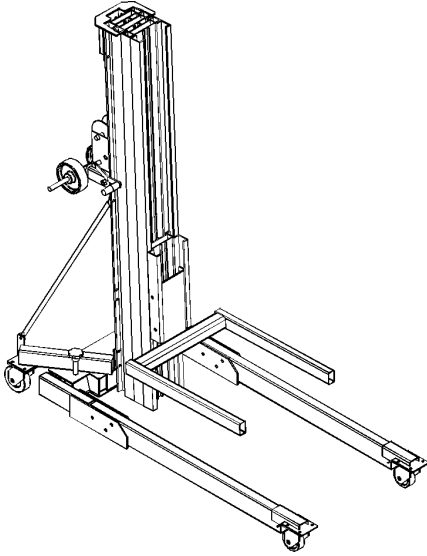


Genie Superlift Advantage Specifications

Material Lift



STANDARD FEATURES

- Designed to roll through standard 32-inch (81 cm) doorway
- Telescoping mast system
- Interchangeable load handling attachments
- Quick setup
- Compact design
- Easy to load onto transport vehicle

SPECIFICATIONS

MODEL	SLA-5		SLA-10		SLA-15	
	US	Metric	US	Metric	US	Metric
Height-stowed	78 ½ in	2 m	78 ½ in	2 m	78 ½ in	2 m
Length-stowed	29 in	74 cm	29 in	74 cm	29 in	74 cm
Length-operating	59 ½ in	1.5 m	59 ½ in	1.5 m	74 in	1.88 m
Width-standard base stowed ¹	31 ½ in	80 cm	31 ½ in	80 cm	31 ½ in	80 cm
Width-straddle base min ¹	31 ½ in	80 cm	31 ½ in	80 cm	31 ½ in	80 cm
Width-straddle base max ¹	58 in	1.47 m	58 in	1.47 m	58 in	1.47 m
Width-straddle base max inside	50 in	1.27 m	50 in	1.27 m	50 in	1.27 m
Load height - min	6 in	15 cm	6 in	15 cm	6 in	15 cm
Ground clearance	2 in	5 cm	2 in	5 cm	2 in	5 cm
Load capacity	1,000 lb	454 kg	1,000 lb	454 kg	800 lb	363 kg
Weight-standard base	215 lb	98 kg	260 lb	118 kg	317 lb	144 kg
Weight-straddle base	258 lb	117 kg	303 lb	137 kg	360 lb	163 kg

Working Height

	Standard forks		Adjustable forks		Flat forks		Boom ²		Load platform ³	
forks down	4 ft 10½ in	1.5 m	4 ft 10½ in	1.5 m	9 ft 9 in	3 m	14 ft 7½ in	4.5 m	4 ft 10½ in	1.5 m
forks up	6 ft 7 in	2 m	6 ft 7 in	2 m	11 ft 5½ in	3.5 m	16 ft 4 in	5 m	6 ft 7 in	2 m
forks down	4 ft 10½ in	1.5 m	4 ft 10½ in	1.5 m	9 ft 9 in	3 m	14 ft 7½ in	4.5 m	4 ft 10½ in	1.5 m
forks up	6 ft 7 in	2 m	6 ft 7 in	2 m	11 ft 5½ in	3.5 m	16 ft 4 in	5 m	6 ft 7 in	2 m
forks down	4 ft 10½ in	1.5 m	4 ft 10½ in	1.5 m	9 ft 9 in	3 m	14 ft 7½ in	4.5 m	4 ft 10½ in	1.5 m
forks up	6 ft 7 in	2 m	6 ft 7 in	2 m	11 ft 5½ in	3.5 m	16 ft 4 in	5 m	6 ft 7 in	2 m

Load Handling Attachments

	Length		Width		Depth		Weight	
Standard forks	27 ½ in	70 cm	23 ½ in	60 cm	2 ½ in	6 cm	38 lb	17 kg
Adjustable forks	27 ½ in	70 cm	11 ½ in	29 cm	2 ½ in	6 cm	52 ½ lb	24 kg
			- 30 in	- 76 cm				
Fork extensions	30 in	76 cm	2 in	5 cm	3 in	8 cm	4 ½ lb	2 kg ea
Flat forks	32 in	81 cm	16-31 in	41-79 cm	1 ½ in	4 cm	73 lb	33 kg
Pipe cradle ⁴	27 ½ in	70 cm	24 ½ in	62 cm	6 in	15 cm	10 lb	4 ½ kg
Load platform	27 ½ in	70 cm	23 ½ in	60 cm	2 ½ in	6 cm	26 ½ lb	12 kg

¹Outside dimensions. ²Measured from ground to bottom of shackle. ³For use with standard and adjustable forks only. ⁴Handles round objects up to 30 in (76 cm) in diameter.

Genie Industries

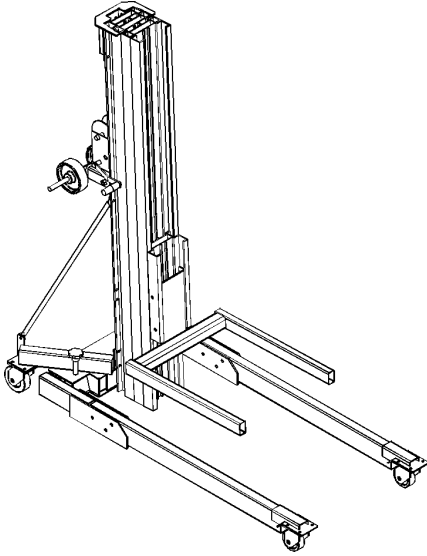
USA 18340 NE 76th Street
P.O. Box 97030
Redmond, Washington 98073-9730
Telephone (425) 881-1800
Toll Free USA/Canada 800-536-1800
Fax (425) 883-3475
<http://www.genielift.com>

UK The Maltings, Wharf Road
Grantham
Lincolnshire NG31 6BH
Telephone (44) 01476-584333
Fax (44) 01476-584334
<http://www.genielift.com>

Continuous improvement of our products is a Genie policy. Product specifications are subject to change without notice or obligation. The drawings in this brochure are for illustrative purposes only. Refer to the appropriate Genie Superlift Advantage Operator's Manual for instructions on the proper use of this equipment. Failure to follow the appropriate Operator's Manual when using a Genie Superlift Advantage, or to otherwise act irresponsibly, may result in serious injury or death. Copyright © 1997 by Genie Industries. "Genie" is a Registered Trademark of Genie Industries in the USA and many other countries. "Superlift" is a Trademark of Genie Industries. Genie is the owner of U.S. Patents 5,584,363; 5,667,352; 5,515,945; 5,645,142 and Patents Pending. 2-1-01

Genie Superlift Advantage Specifications

Material Lift, continued



STANDARD FEATURES

- Designed to roll through standard 32-inch (81 cm) doorway
- Telescoping mast system
- Interchangeable load handling attachments
- Quick setup
- Compact design
- Easy to load onto transport vehicle

SPECIFICATIONS

MODEL	SLA-20		SLA-25	
	US	Metric	US	Metric
Height - stowed	78 ½ in	2 m	78 ½ in	2 m
Length - stowed	29 in	74 cm	31 in	79 cm
Length - operating	82 in	2.08 m	82 in	2.08 m
Width - standard base stowed ¹	31 ½ in	80 cm	31 ½ in	80 cm
Load height - min	6 in	15 cm	6 in	15 cm
Ground clearance	2 in	5 cm	2 in	5 cm
Load capacity	800 lb	363 kg	650 lb	295 kg
Weight - standard base	405 lb	184 kg	450 lb	204 kg

Working Height

	US	Metric	US	Metric
Standard forks				
forks down	19 ft 6 in	5.9 m	24 ft 4 in	7.4 m
forks up	21 ft 2 ½ in	6.5 m	26 ft ½ in	7.9 m
Adjustable forks				
forks down	19 ft 6 in	5.9 m	24 ft 4 in	7.4 m
forks up	21 ft 2 ½ in	6.5 m	26 ft ½ in	7.9 m
Boom ²	20 ft 6 in	6.2 m	24 ft 4 in	7.4 m
Load platform ³				
forks down	19 ft 6 in	5.9 m	24 ft 4 in	7.4 m
forks up	21 ft 2 ½ in	6.5 m	26 ft 5 in	8 m

Load Handling Attachments

	Length		Width		Depth		Weight	
	US	Metric	US	Metric	US	Metric	US	Metric
Standard forks	27 ½ in	70 cm	23 ½ in	60 cm	2 ½ in	6 cm	38 lb	17 kg
Adjustable forks	27 ½ in	70 cm	11 ½ - 30 in	29 - 76 cm	2 ½ in	6 cm	52 ½ lb	24 kg
Fork extensions	30 in	76 cm	2 in	5 cm	3 in	8 cm	4 ½ lb	2 kg ea
Boom	18 - 42 in	46 - 107 cm	1 ½ in	4 cm	6 ½ in	17 cm	34 ½ lb	16 kg
Pipe cradle ⁴	27 ½ in	70 cm	24 ½ in	62 cm	6 in	15 cm	10 lb	4 ½ kg
Load platform	27 ½ in	70 cm	23 ½ in	60 cm	2 ½ in	6 cm	26 ½ lb	12 kg

¹Outside dimensions. ²Measured from ground to bottom of shackle. ³For use with standard and adjustable forks only. ⁴Handles round objects up to 30 in (76 cm) in diameter.

Genie Industries

USA 18340 NE 76th Street
P.O. Box 97030
Redmond, Washington 98073-9730
Telephone (425) 881-1800
Toll Free USA/Canada 800-536-1800
Fax (425) 883-3475
<http://www.genielift.com>

UK The Maltings, Wharf Road
Grantham
Lincolnshire NG31 6BH
Telephone (44) 01476-584333
Fax (44) 01476-584334
<http://www.genielift.com>

Continuous improvement of our products is a Genie policy. Product specifications are subject to change without notice or obligation. The drawings in this brochure are for illustrative purposes only. Refer to the appropriate Genie Superlift Advantage Operator's Manual for instructions on the proper use of this equipment. Failure to follow the appropriate Operator's Manual when using a Genie Superlift Advantage, or to otherwise act irresponsibly, may result in serious injury or death. Copyright © 1997 by Genie Industries. "Genie" is a Registered Trademark of Genie Industries in the USA and many other countries. "Superlift" is a Trademark of Genie Industries. Genie is the owner of U.S. Patents 5,584,363; 5,667,352; 5,515,945; 5,645,142 and Patents Pending. 2-1-01