

Manually Operated Superlift™ Contractor

SLC™

- Portable material lift for construction and industrial applications.



Genie Industries

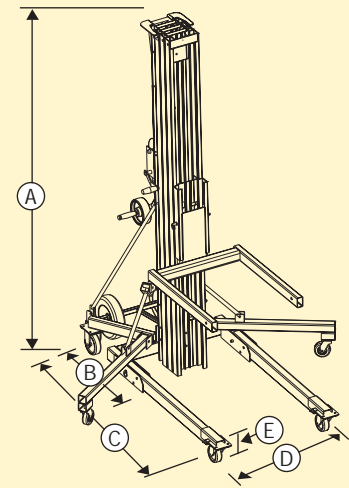
The Superlift Contractor is an ideal tool for construction firms and every kind of contractor.

Standard Features

- Heavy duty design, yet lightweight and portable.
- Quick setup requires no tools.
- Loads easily into a pickup truck for transporting.
- Rear transport wheel assembly.
- 4 in (10 cm) front casters and 5 in (13 cm) rear casters with side brakes are standard.
- Hold-down bar holds mast assembly in place during transport.

Options and Accessories

- Fixed front caster option
- Two-speed winch
- Stabilizer set (standard on SLC-18 and SLC-24)



Specifications

| Model | SLC-12 | | SLC-18 | | SLC-24 | |
|---------------------------|-----------|---------|-----------|---------|-----------|---------|
| | US | Metric | US | Metric | US | Metric |
| (A) Height - stowed | 86 in | 2.18 m | 86 in | 2.18 m | 86 in | 2.18 m |
| (B) Length - stowed | 34 in | 86 cm | 34 in | 86 cm | 34 in | 86 cm |
| (C) Length - operating | 63 in | 1.6 m | 73 in | 1.85 m | 81 in | 2.06 m |
| (D) Width | 31 1/2 in | 80 cm | 31 1/2 in | 80 cm | 31 1/2 in | 80 cm |
| Width-stabilizers lowered | 66 in | 1.68 m | 66 in | 1.68 m | 66 in | 1.68 m |
| (E) Ground clearance | 2 in | 5 cm | 2 in | 5 cm | 2 in | 5 cm |
| Load height - min | 6 in | 15 cm | 6 in | 15 cm | 6 in | 15 cm |
| Weight - standard base | 204 lb | 93 kg | 307 lb | 139 kg | 374 lb | 170 kg |
| Average cranks | | | | | | |
| -Standard winch | 8 1/2 /ft | 27.8 /m | 8 1/2 /ft | 27.8 /m | 8 1/2 /ft | 27.8 /m |
| -Two-speed winch, high | 4 /ft | 13.1 /m | 4 /ft | 13.1 /m | 4 /ft | 13.1 /m |
| -Two-speed winch, low | 15 /ft | 49.2 /m | 15 /ft | 49.2 /m | 15 /ft | 49.2 /m |

Load Capacity

| | | | | | | |
|----------------------------|--------|--------|--------|--------|--------|--------|
| 14 in (36 cm) load center | 650 lb | 295 kg | 650 lb | 295 kg | 650 lb | 295 kg |
| 24 in (61 cm) load center | 425 lb | 193 kg | 425 lb | 193 kg | 425 lb | 193 kg |
| 42 in (1.07 m) load center | 180 lb | 82 kg | 160 lb | 73 kg | 160 lb | 73 kg |

Working Height

| | | | | | | |
|-------------------------|-------------|--------|------------|--------|------------|--------|
| Standard forks | | | | | | |
| forks down | 11 ft 2 in | 3.4 m | 16 ft 9 in | 5.1 m | 22 ft 3 in | 6.78 m |
| forks up | 12 ft 11 in | 3.94 m | 18 ft 6 in | 5.64 m | 24 ft | 7.32 m |
| Adjustable forks | | | | | | |
| forks down | 11 ft 2 in | 3.4 m | 16 ft 9 in | 5.1 m | 22 ft 3 in | 6.78 m |
| forks up | 12 ft 11 in | 3.94 m | 18 ft 6 in | 5.64 m | 24 ft | 7.32 m |
| Boom | 12 ft 2 in | 3.7 m | 17 ft 9 in | 5.41 m | 23 ft 3 in | 7.1 m |

| Load Handling Attachments | Length | Width | Depth | Weight |
|---------------------------|--------------------------|-------------------------|---------------|-----------------|
| Standard forks | 28 in 71 cm | 23 in 58 cm | 2 1/2 in 6 cm | 26 1/2 lb 12 kg |
| Adjustable forks | 27 1/2 in 70 cm | 11 to 30 in 28 to 76 cm | 2 1/2 in 6 cm | 52 1/2 lb 24 kg |
| Fork extensions (each) | 30 in 76 cm | 2 in 5 cm | 3 in 8 cm | 4 1/2 lb 2 kg |
| Boom | 18 to 42 in 46 to 107 cm | 1 1/2 in 4 cm | 6 in 15 cm | 34 1/2 lb 16 kg |
| Pipe cradle | 27 1/2 in 70 cm | 24 in 61 cm | 6 in 15 cm | 10 lb 4.5 kg |
| Load platform | 26 1/4 in 67 cm | 23 in 58 cm | 2 1/2 in 6 cm | 26 1/2 lb 12 kg |

Distributed By:

Genie Industries

GENIE UNITED STATES

18340 NE 76th Street
 P.O. Box 97030
 Redmond, Washington 98073-9730
 Telephone (425) 881-1800
 Toll Free in USA/Canada 800-536-1800
 Fax (425) 883-3475
<http://www.genieindustries.com>

GENIE UNITED KINGDOM

The Maltings, Wharf Road
 Grantham
 Lincolnshire NG31 6BH
 England
 Telephone (44) 01476-584333
 Fax (44) 01476-584334
<http://www.genieindustries.com>