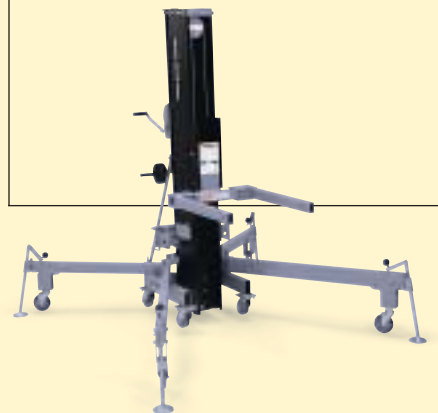




Manually  
Operated  
Super Tower™

SUPER TOWER™

- Lifts and supports lighting systems, sound systems and stage scenery.



**Genie Industries**

## The Ideal Stage Hand!

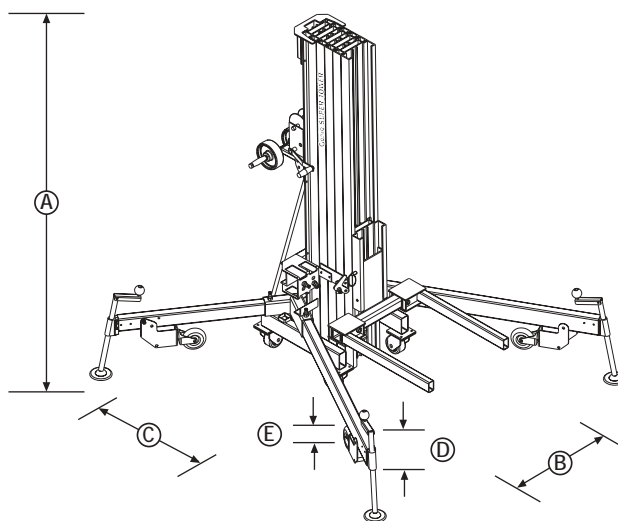
With an **800 lb (363 kg)** or **650 lb (295 kg)** load capacity, the Genie Super Tower is the ideal tool for lifting and supporting **lighting systems, sound systems and stage scenery**. Depend on it for flawless theatrical productions and entertainment events.

### Standard Features

- The Super Tower can be used as a single unit, or two or more can be used together to support trusses to span a stage.
- **Setup is easy.** Just install the outriggers and set the leveling jacks.
- To ensure load stability, **the hand winch locks the load in place** when the handle is released.
- In a stowed position, the Super Tower is **easy to transport**—with no bulky base to get in the way.
- It comes standard with a **flat black anodized finish** so that the unit is nearly invisible to the audience.
- Perfect for heavy lighting systems.
- Lifts 800 lb (363 kg) to 19 ft 6 in (5.94 m) or 650 lb (295 kg) to 24 ft 4 in (7.42 m).
- **Compact base.** Stowed dimensions are 22 in (56 cm) x 25 ¼ in (64 cm).

### Options and Accessories

- One- or two-speed winch
- Load platform
- Fork extensions



### Specifications

Model	ST-20	ST-25
	<b>US</b>	<b>Metric</b>
Ⓐ Height - stowed	78 ¾ in	2 m
Ⓑ Width - stowed	22 in	56 cm
Ⓒ Length - stowed	25 ¼ in	64 cm
Ⓓ Minimum load height	6 in	15 cm
Ⓔ Ground clearance	2 in	5 cm
Outrigger footprint	73 ½ x 79 ½ in	1.87 x 2.02 m
Load capacity - at 18 in load center	800 lb	363 kg
Weight	446 lb	202 kg
Average winch cranks	8 ½/ft	28/m
Adjustable forks	27 ½ x 11 ½ to 30 x 2 ½ in	70 x 29 to 76 x 6 cm
Adjustable forks weight	52 ½ lb	24 kg
Working height - forks down	19 ft 6 in	5.94 m
Working height - forks up	21 ft 2 ½ in	6.46 m
	<b>ST-25</b>	
Ⓐ Height - stowed	78 ¾ in	2 m
Ⓑ Width - stowed	22 in	56 cm
Ⓒ Length - stowed	25 ¼ in	64 cm
Ⓓ Minimum load height	6 in	15 cm
Ⓔ Ground clearance	2 in	5 cm
Outrigger footprint	73 ½ x 79 ½ in	1.87 x 2.02 m
Load capacity - at 18 in load center	650 lb	295 kg
Weight	490 lb	222 kg
Average winch cranks	8 ½/ft	28/m
Adjustable forks	27 ½ x 11 ½ to 30 x 2 ½ in	70 x 29 to 76 x 6 cm
Adjustable forks weight	52 ½ lb	24 kg
Working height - forks down	24 ft 4 in	7.42 m
Working height - forks up	26 ft 1/2 in	7.94 m

Distributed By:

## Genie Industries

### GENIE UNITED STATES

18340 NE 76th Street  
P.O. Box 97030  
Redmond, Washington 98073-9730  
Telephone **(425) 881-1800**  
Toll Free in USA/Canada **800-536-1800**  
Fax (425) 883-3475  
http://www.genieindustries.com

### GENIE UNITED KINGDOM

The Maltings, Wharf Road  
Grantham  
Lincolnshire NG31 6BH  
England  
Telephone: **+44 (0)1476 584333**  
Fax: **+44 (0)1476 584334**  
http://www.genieindustries.com